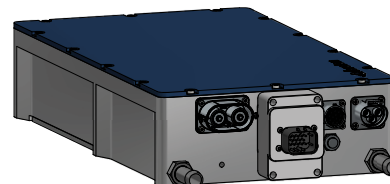


## CC-3001

Converter for driving ultra-high-speed turbo compressors in fuel cell systems.

- Operation of turbo compressor from wide input voltage range (400 – 750 VDC)
- Rated output power: 21 kW
- Sensorless speed control up to 130,000 rpm
- Low voltage power input (8 – 32 VDC) for control
- Galvanic separation between high and low voltage input



### Specifications converter

High voltage input $U_{HV}$	400 – 800 VDC
Nominal high voltage input $U_{HV}$	400 – 750 VDC
Maximum output power	21 kW
Low voltage power input $U_{LV}$	8 – 32 VDC (Auxiliary supply)
Maximum frequency/speed	2.17 kHz/130,000 rpm
Maximum output voltage	650 V (peak value phase-phase)
Maximum phase current	35 Arms
Communication interface	CAN 2.0A, CAN 2.0B, RS422-USB (Service Interface)
Interlock	High voltage connector, motor connector
Ambient temperature	-30 – 65 °C
Weight	15.8 kg
Dimensions (L x W x H)	430 (478) x 248 x 94 mm (16.9 (18.8) x 9.8 x 3.7 inch)

### Cooling

Coolant	50%/50% water glycol mixture
In-/Outlet connector type	According to SAE J1231 430192
Tube ID	16 mm

### Interfaces

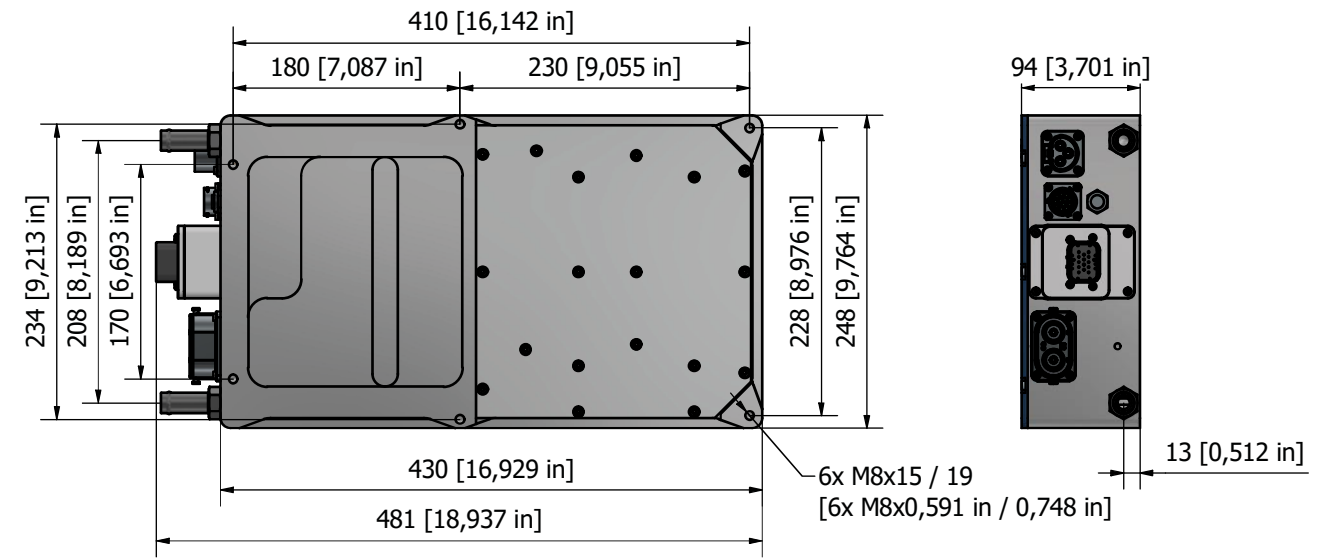
Low voltage and communication interface (X1)	TE Connectivity/AMPSEAL 14 Pos.
High voltage connection	Amphenol/Excel-Mate
Motor connection	Amphenol/PowerLok 4.0
Sensor connection (Temperature/Interlock)	Amphenol/Eco-Mate RM
Converter grounding	M6 x 10

All rights reserved. All information in this document is based on Celeroton TurboCell's best knowledge and is not to be considered as a warranty or quality specification. The information given is designed as a guidance and customers are requested to check the suitability and usability of the product in their specific application with consulting Celeroton TurboCell. The information herein is subject to change without notification.

Order codes: CC-3001

Ordering information	Article number
CC-3001	contact sales

**Drawing in mm [inch]**



**Celeroton TurboCell AG** | Industriestrasse 22 | 8604 Volketswil | Switzerland  
 T: +41 44 250 52 20 | [info@celeroton-turbocell.com](mailto:info@celeroton-turbocell.com)

All rights reserved. All information in this document is based on Celeroton TurboCell's best knowledge and is not to be considered as a warranty or quality specification. The information given is designed as a guidance and customers are requested to check the suitability and usability of the product in their specific application with consulting Celeroton TurboCell. The information herein is subject to change without notification.